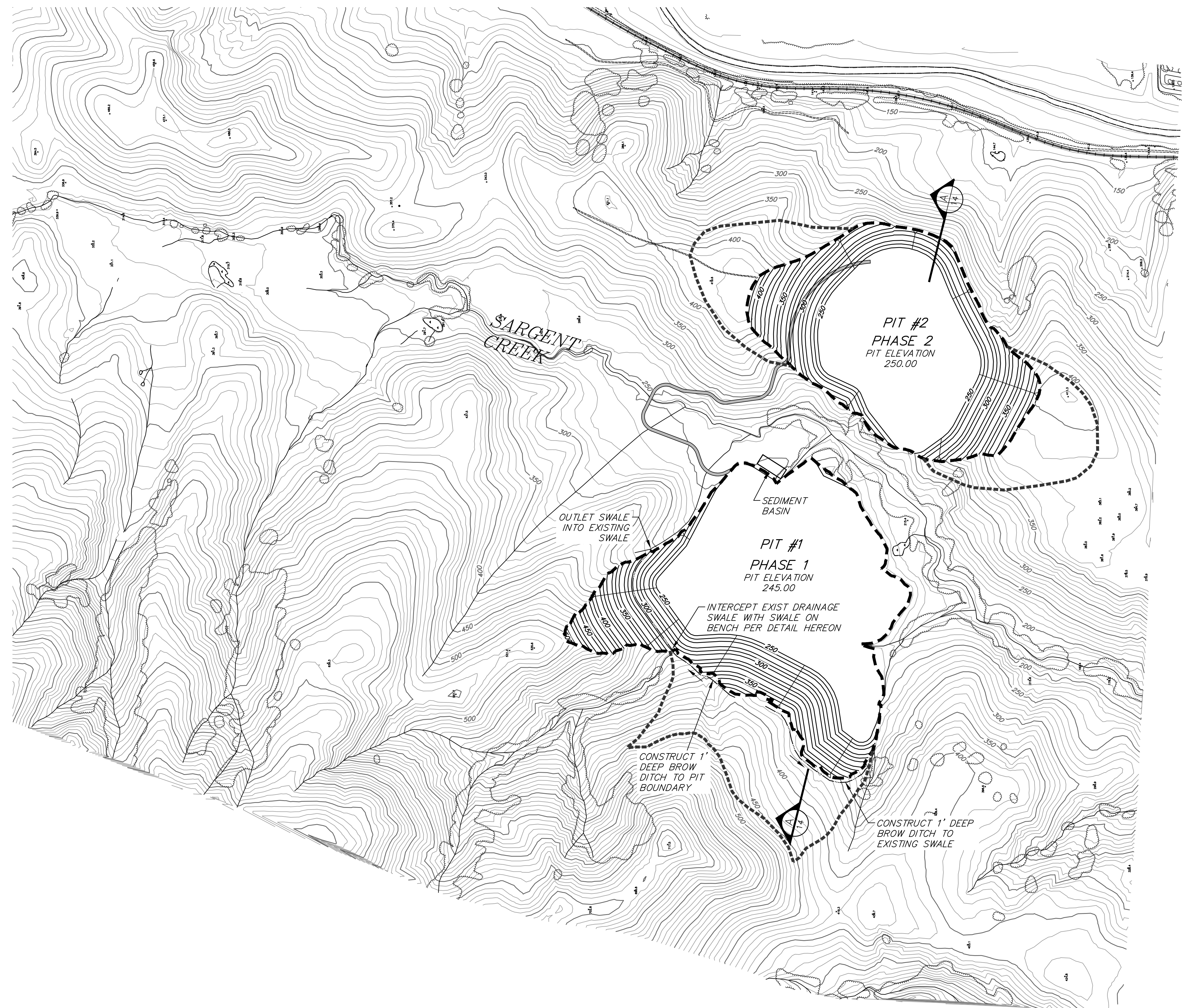


REVISIONS:	BY:

SARGENT RANCH QUARRY
PHASE 1 AND 2 EXCAVATION PLAN



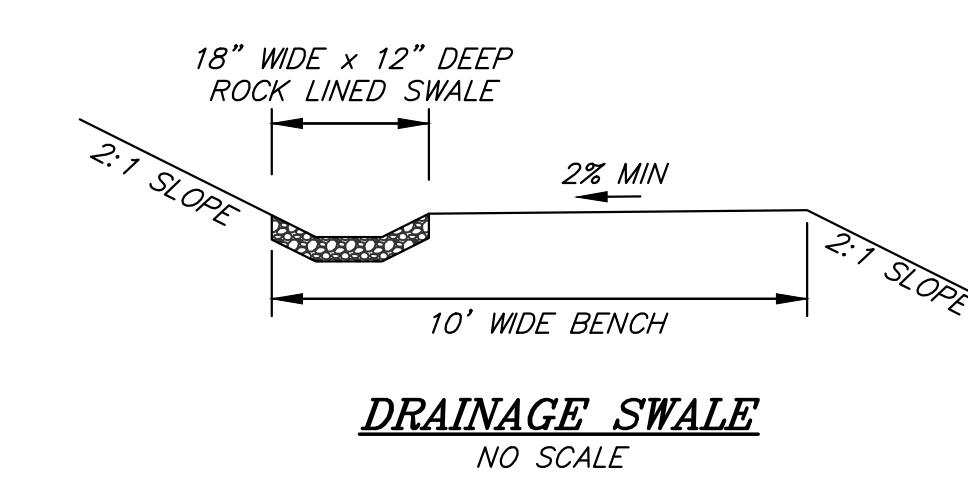
LEGEND

- MINING LIMIT LINE
- ▬ PROPOSED GRADED ROAD WIDTH AS SHOWN
- ▨ PROPOSED STORMWATER SEDIMENT BASIN
- W — PROPOSED WATER LINE FROM OFFSITE WELL
- ▩ PROPOSED PROCESS WATER POND
- 200 EXISTING GROUND CONTOUR AND ELEV.
- 200 PROPOSED GROUND CONTOUR AND ELEV.
- ▨ TOPSOIL STOCKPILE AREA
- CREEK
- SLIDE REMEDIATION LIMIT LINE
- ☁ VEGETATION
- X XX SECTION LINE

QUARRY EXCAVATION ESTIMATED QUANTITIES

PHASE 1 TOTAL VOLUME	3,600,000 CY
PHASE 1 TOP SOIL (TOP 2 FEET)	135,000 CY
PHASE 1 OVERBURDEN	900,000 CY
PHASE 1 PRODUCT	2,565,000 CY
PHASE 1 ADDITIONAL DISTURBANCE RESULTING FROM SLIDE REMEDIATION (IF NECESSARY) - 25.0 ACRES	
PHASE 2 TOTAL VOLUME	5,000,000 CY
PHASE 2 TOP SOIL (TOP 2 FEET)	100,000 CY
PHASE 2 OVERBURDEN	1,500,000 CY
PHASE 2 PRODUCT	3,400,000 CY
PHASE 2 ADDITIONAL DISTURBANCE RESULTING FROM SLIDE REMEDIATION (IF NECESSARY) - 14.0 ACRES	

1. TOPSOIL FROM PHASE 1 SHALL BE STOCKPILED AS SHOWN ON FIGURE 10a FOR LATER USE WITH RECLAMATION PLANTING OF PHASE 4 AND PLANT SITE.
2. OVERBURDEN IN PHASE 1 SHALL BE STOCKPILED AS SHOWN ON FIGURE 10a.
3. OVERBURDEN IN PHASE 2 WILL BE USED FOR RECLAMATION GRADING OF PHASE 1. ENOUGH OVERBURDEN SHALL BE STOCKPILED IN PHASE 1 FOR USE AS RECLAMATION GRADING OF PHASE 2. ADDITIONAL OVERBURDEN SHALL BE STOCKPILED AS SHOWN ON FIGURE 10a.
4. TOPSOIL FROM PHASE 2 SHALL BE USED FOR RECLAMATION PLANTING OF PHASE 1.
5. A PORTION OF TOPSOIL FROM PHASE 3 SHALL BE USED AS RECLAMATION PLANTING FOR PHASE 1 AND 2.
6. TOPSOIL STOCKPILES SHALL HAVE A POSTED SIGN SAYING "TOPSOIL".
7. REFER TO FIGURES 14 & 15 FOR MINE CROSS SECTIONS.
8. REFER TO FIGURES 20-22 FOR MINE RECLAMATION CROSS SECTIONS.



CONTOUR INTERVAL: 10'
GRAPHIC SCALE

 (IN FEET)
 1 inch = 300 ft.